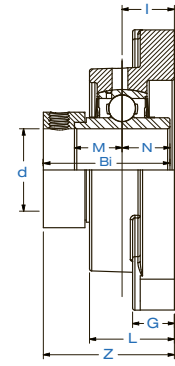
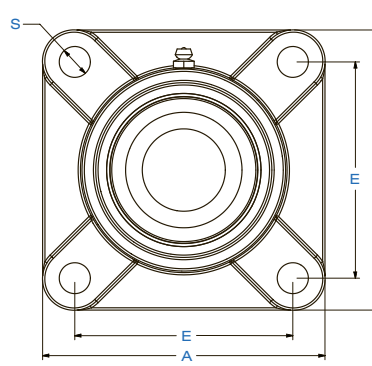




SNCSFM 200

Normal-Duty 4-Bolt Flange Block
Eccentric Lock



Seal
Styles



Standard Seal
with Flinger



Triple-Lip
L3 Seal

Bearing Number	Shaft Dia.	Dimensions (in.)										Bolt Used		Load Rating lbs. kN.		Bearing Insert	Housing Number	Wt.	
	d in. mm.	A	E	I	G	L	S	Z	Bi	N	M	in. mm.	Dynamic Cr	Static Cor	lbs. kg.				
SNCSFM 201-8	1/2																SNC 201-8		
SNCSFM 202-10	5/8	3.38	2.500	0.59	0.47	1.00	0.47	1.64	1.5472	0.5000	0.6732	3/8	2,331	1,142		SNC 202-10	SFM 204	1.8	
SNCSFM 204-12	3/4	86.0	64.0	15.0	12.0	25.5	12.0	41.6	39.3	12.7	17.1	M10	10.37	5.08		SNC 204-12		0.8	
SNCSFM 204	20																SNC 204		
SNCSFM 205-14	7/8																SNC 205-14	SFM 205	
SNCSFM 205-15	15/16	3.75	2.750	0.63	0.55	1.06	0.47	1.69	1.6220	0.5630	0.6850	7/16	2,542	1,349		SNC 205-15	2.5		
SNCSFM 205	25	95.0	70.0	16.0	14.0	27.0	12.0	42.9	41.2	14.3	17.4	M10	11.31	6.00		SNC 205	1.1		
SNCSFM 205-16	1																SNC 205-16		
SNCSFM 206-17	1 1/16																SNC 206-17	SFM 206	
SNCSFM 206-18	1 1/8	4.25	3.250	0.71	0.55	1.22	0.47	1.89	1.8110	0.6260	0.7165	7/16	3,554	1,942		SNC 206-18	3.2		
SNCSFM 206	30	108.0	83.0	18.0	14.0	31.0	12.0	48.1	46.0	15.9	18.2	M10	15.81	8.64		SNC 206	1.4		
SNCSFM 206-19	1 3/16																SNC 206-19		
SNCSFM 206-20	1 1/4																SNC 206-20		
SNCSFM 207-20	1 1/4																SNC 207-20	SFM 207	
SNCSFM 207-21	1 5/16	4.56	3.625	0.75	0.63	1.34	0.55	2.02	1.9606	0.6890	0.7402	1/2	4,683	2,626		SNC 207-21	4.8		
SNCSFM 207-22	1 3/8	116.0	92.0	19.0	16.0	34.0	14.0	51.3	49.8	17.5	18.8	M12	20.83	11.68		SNC 207-22	2.2		
SNCSFM 207	35																SNC 207		
SNCSFM 207-23	1 7/16																SNC 207-23		
SNCSFM 208-24	1 1/2																SNC 208-24	SFM 208	
SNCSFM 208-25	1 9/16	5.13	4.000	0.83	0.63	1.42	0.63	2.20	2.1220	0.7480	0.8425	9/16	5,294	3,057		SNC 208-25	5.8		
SNCSFM 208	40	130.0	102.0	21.0	16.0	36.0	16.0	55.9	53.9	19.0	21.4	M14	23.55	13.60		SNC 208	2.6		
SNCSFM 209-26	1 5/8																SNC 209-26	SFM 209	
SNCSFM 209-27	1 11/16	5.38	4.125	0.87	0.71	1.50	0.63	2.24	2.1220	0.7480	0.8425	9/16	5,923	3,507		SNC 209-27	7.1		
SNCSFM 209-28	1 3/4	136.5	105.0	22.0	18.0	38.0	16.0	56.9	53.9	19.0	21.4	M14	26.35	15.60		SNC 209-28	3.2		
SNCSFM 209	45																SNC 209		
SNCSFM 210-30	1 7/8																SNC 210-30	SFM 210	
SNCSFM 210-31	1 15/16	5.63	4.375	0.87	0.71	1.57	0.63	2.37	2.2480	0.7480	0.9685	9/16	6,402	4,046		SNC 210-31	8.0		
SNCSFM 210	50	143.0	111.0	22.0	18.0	40.0	16.0	60.1	57.1	19.0	24.6	M14	28.48	18.00		SNC 210	3.6		
SNCSFM 210-32	2																SNC 210-32		
SNCSFM 211-32	2																SNC 211-32	SFM 211	
SNCSFM 211-34	2 1/8	6.38	5.125	0.98	0.79	1.69	0.75	2.70	2.5906	0.8740	1.0905	5/8	7,931	5,036		SNC 211-34	10.8		
SNCSFM 211	55	162.0	130.0	25.0	20.0	43.0	19.0	68.6	65.8	22.2	27.7	M16	35.28	22.40		SNC 211	4.9		
SNCSFM 211-35	2 3/16																SNC 211-35		
SNCSFM 212-36	2 1/4																SNC 212-36	SFM 212	
SNCSFM 212	60	6.88	5.625	1.13	0.79	1.89	0.75	2.98	2.8430	1.0000	1.2165	5/8	9,554	5,921		SNC 212	13.4		
SNCSFM 212-38	2 3/8	175.0	143.0	29.0	20.0	48.0	19.0	75.8	72.2	25.4	30.9	M16	42.50	26.34		SNC 212-38	6.1		
SNCSFM 212-39	2 7/16																SNC 212-39		

MARINER®